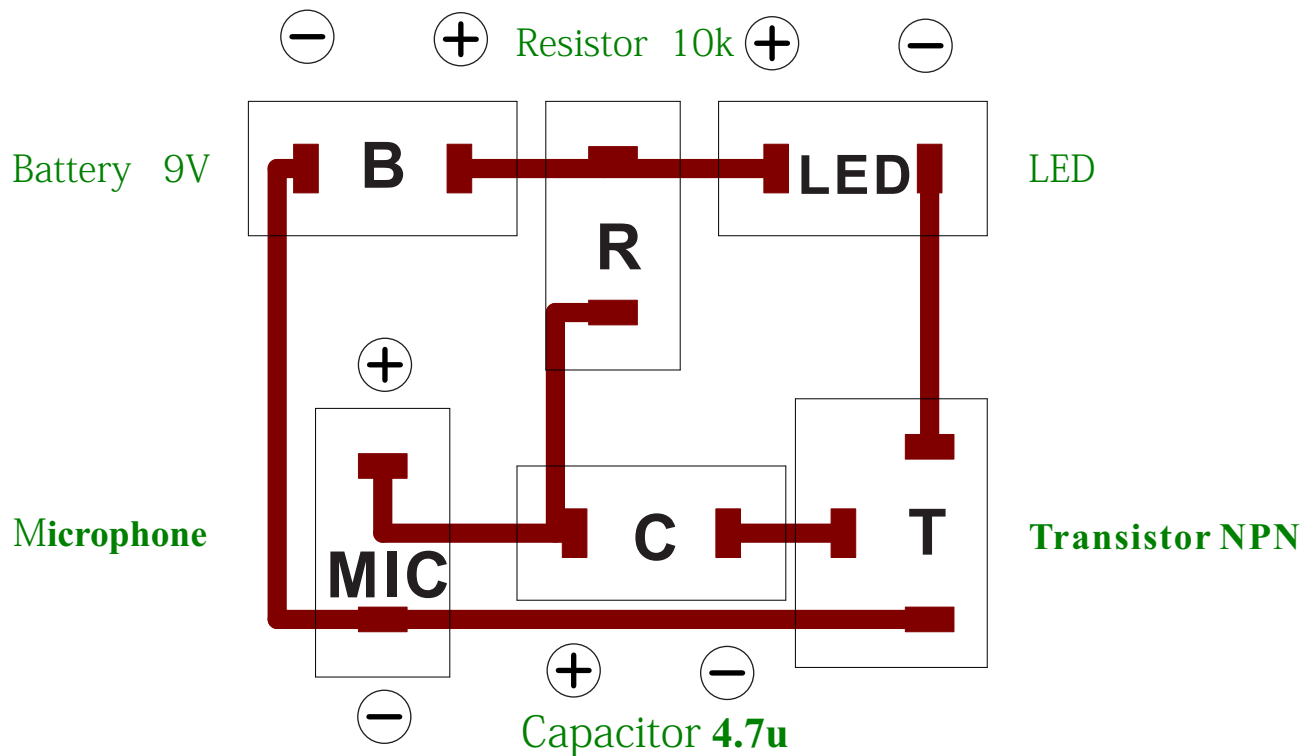


Circuit No.3: Sound Driven Light

Turn on the switch and speak toward the microphone (MIC). The louder you speak, the brighter the light will be. You can also play a piece of music using your phone or other devices and put the speakers near the microphone, the light will then flash with the music.

Working Principle:

Microphone is a device which generates a small electrical signal when it is hit by sound. The louder the sound, the larger the signal. In this circuit, the generated signal is input into the transistor and is amplified by it. The amplified signal is then output from the transistor to power the LED. The larger the input, the larger the output. So the LED will flash with sound.



Instructions:

1. Print this page using a letter sized paper. Please choose "actual size" if you are using a different sized paper.
2. Place Nectro Coated Film on top of the page you just printed.
3. Trace the red line using Nectro conductive ink pen.
4. Place the components to its proper position according to the abbreviation shown on the circuit (B, T, PR, LED...etc.), pay attention to the positive and negative symbols.