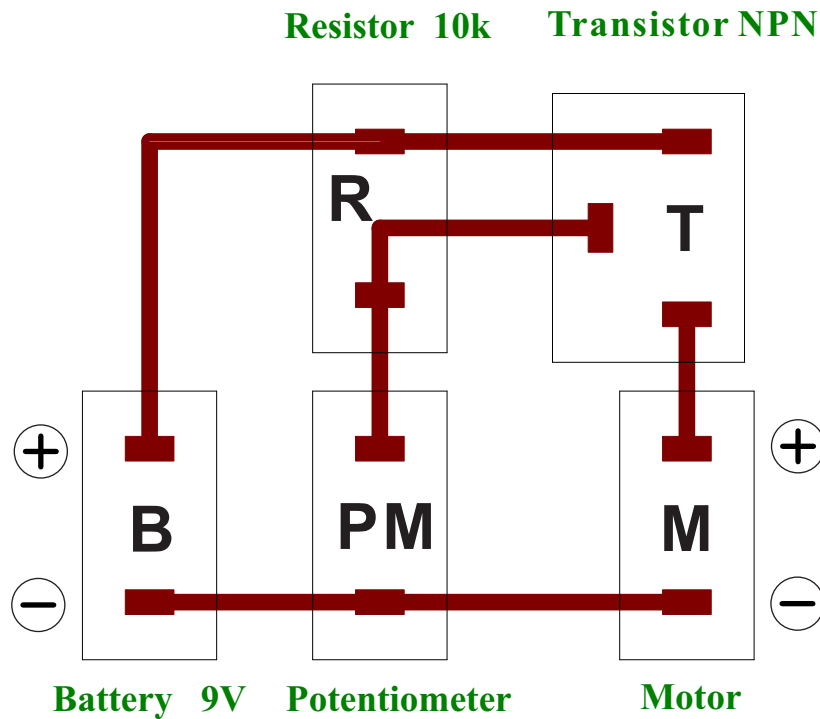


Circuit No.2: Fan with Variable Speed

Turn on the switch, adjust the knob on the potentiometer, the speed of the motor will change.

Working Principle:

The transistor acts as an controller to control the power put into the motor . When you adjust the potentiometer, the voltage that input into the transistor will change. A larger voltage will increase the output power of the transistor while a lower voltage will decrease the output power, making the motor work in different speed.



Instructions:

1. Print this page using a letter sized paper. Please choose “actual size” if you are using a different sized paper.
2. Place Nectro Coated Film on top of the page you just printed.
3. Trace the red line using Nectro conductive ink pen.
4. Place the components to its proper position according to the abbreviation shown on the circuit (B, T, PR, LED...etc.), pay attention to the positive and negative symbols.
5. Turn on the switch and enjoy the fun of the circuits.