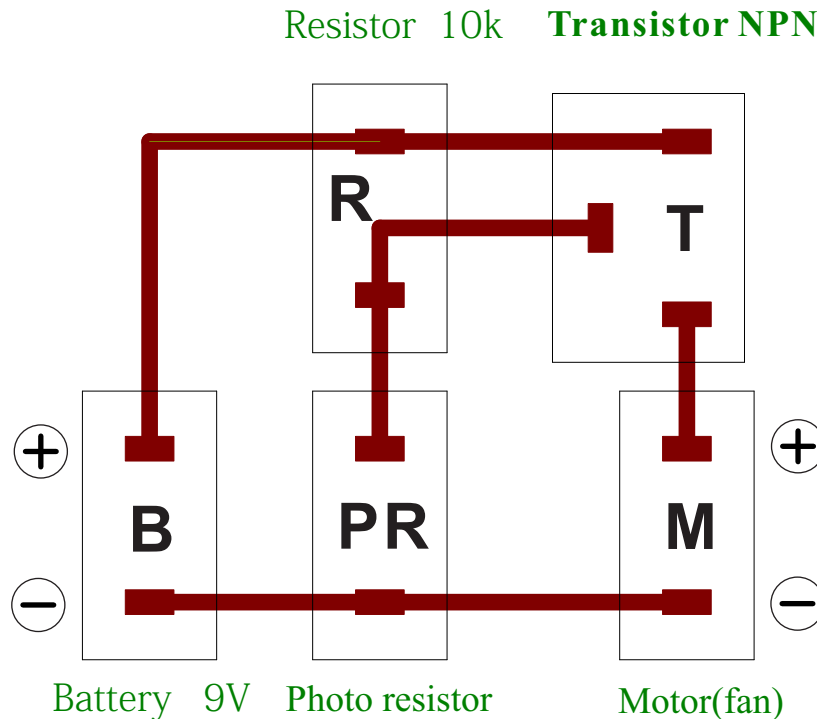


## Circuit No.8: Automatic Fan

Turn on the switch, control the light that goes into the photo resistor, the speed of the fan will change.

### Working Principle:

The transistor acts as an controller to control the power put into the motor . When you adjust the photo resistor, the voltage that input into the transistor will change. A larger voltage will increase the output power of the transistor while a lower voltage will decrease the output power, resulting in different speed of the fan.



### Instructions:

1. Print this page using a letter sized paper. Please choose “actual size” if you are using a different sized paper.
2. Place Nectro Coated Film on top of the page you just printed.
3. Trace the red line using Nectro conductive ink pen.
4. Place the components to its proper position according to the abbreviation shown on the circuit (B, T, PR, LED...etc.), pay attention to the positive and negative symbols.
5. Turn on the switch and enjoy the fun of the circuits.